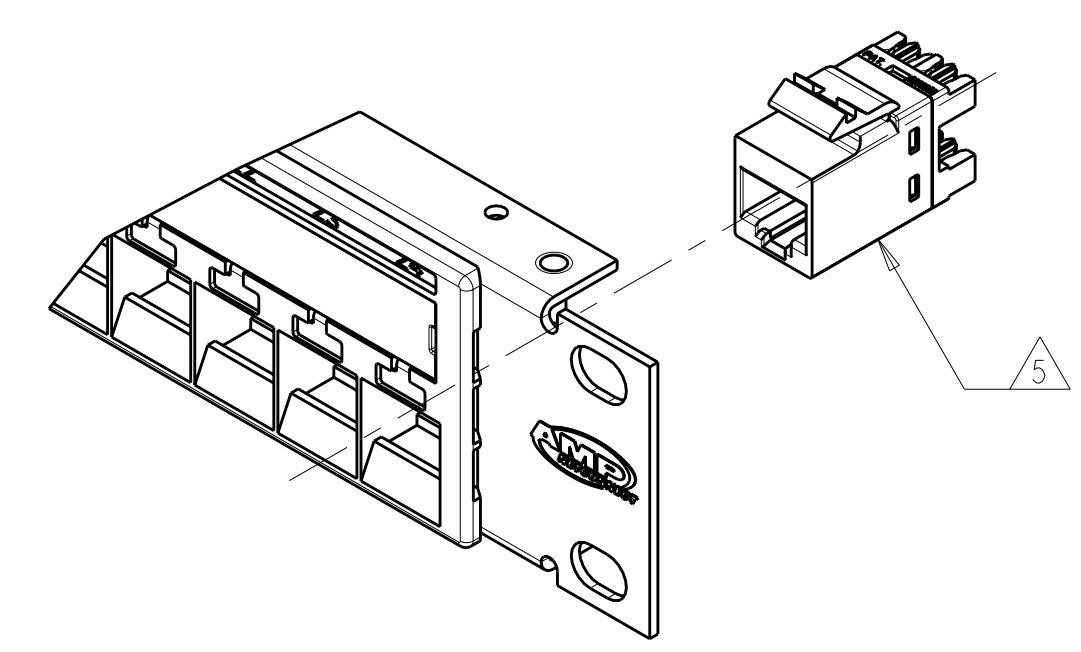
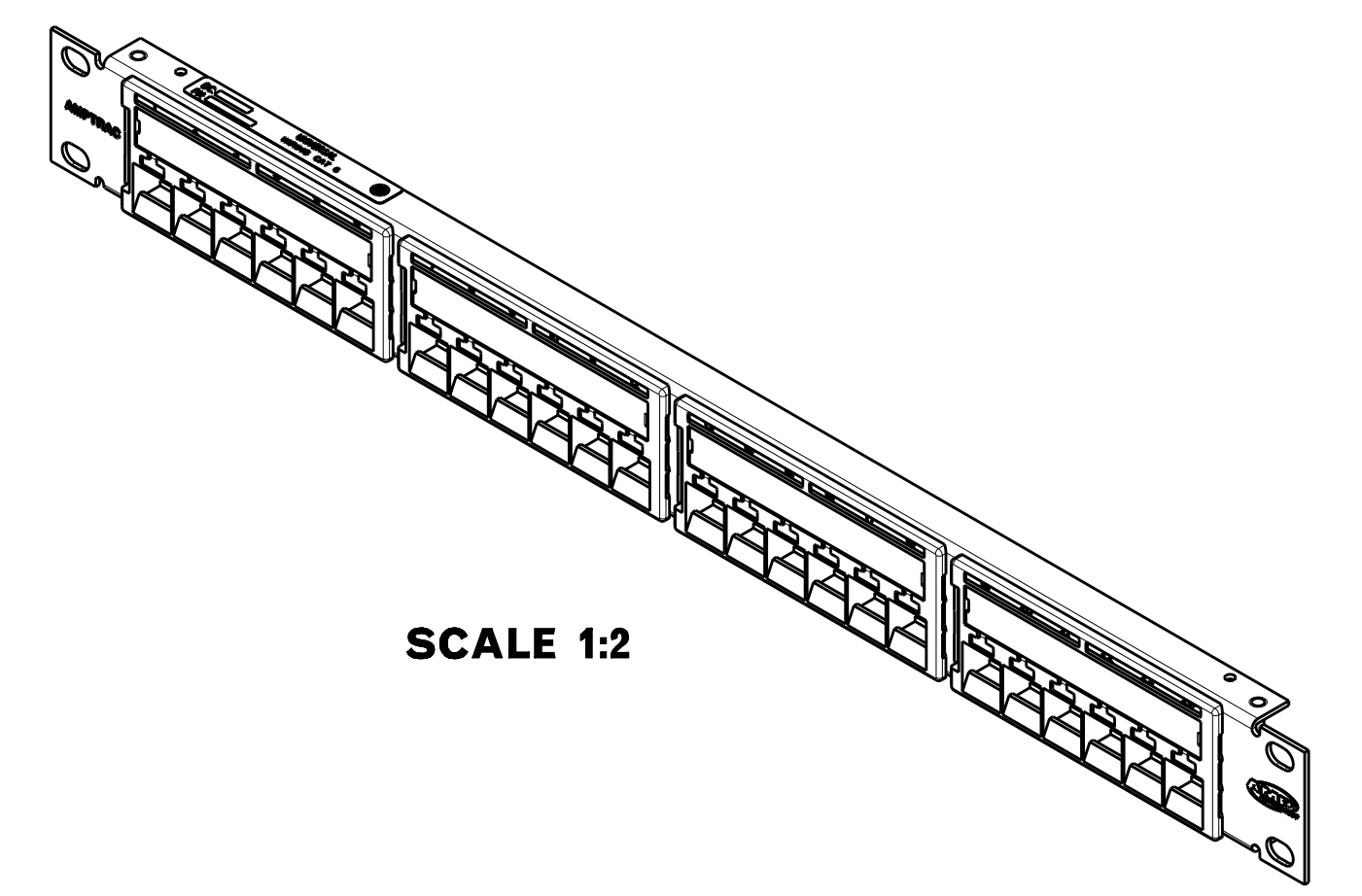
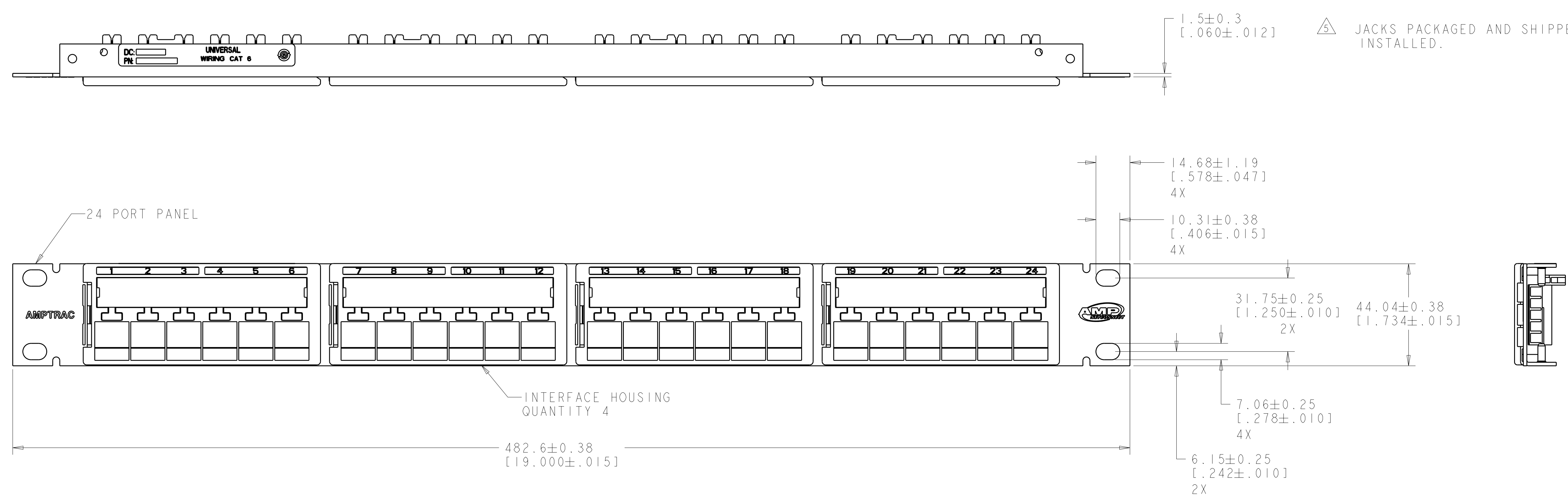


LOC		DIST		REVISIONS			
HM	00	P	LTR	DESCRIPTION	DATE	DWN	APVD
		A		NSD07-041	21MAY2007	JM	SH
		B		ECO-07-015502	05JUL2007	JM	SH
		C		REV ECO-08-017587	17JUL2008	LH	DC
		D		REV; ECO-08-019881	14AUG2008	GG	DC

- △ MATERIAL:
 CONNECTOR HOUSING, INTERFACE: POLYESTER MOLDING COMPOUND, BLACK.
 PANEL: BLACK POWDER COAT STEEL WITH WHITE MARKINGS.
- FOUR BLACK 12-24 X 12.7 [.500] LONG AND FOUR 10-32 X 12.7 [.500] LONG CARBON STEEL CROSS RECESSED SCREWS FOR MOUNTING OF PANEL, SHIPPED LOOSE. NOT SHOWN ON DRAWING.
 - FOUR RELEASEABLE CABLE TIES USED FOR CABLE ORGANIZATION/ROUTING ARE SHIPPED LOOSE. NOT SHOWN ON DRAWING.
 - ONE BAG OF STRAIN RELIEFS SHIPPED LOOSE. NOT SHOWN ON DRAWING.
- △ JACKS PACKAGED AND SHIPPED LOOSE. TO BE FIELD INSTALLED.



1933327-1
 PART NUMBER

DIMENSIONS: [MM] [INCHES] TOLERANCES UNLESS OTHERWISE SPECIFIED: 9 PLC ±.1 1 PLC ±.1 2 PLC ±.1 3 PLC ±.1 4 PLC ±.1 ANGLES ±.1 MATERIAL: △ FINISH: △		DWN: J MCNEAL 21MAY2007 CHK: S HERNDON 21MAY2007 APVD: S HERNDON 21MAY2007 PRODUCT SPEC: APPLICATION SPEC: WEIGHT: CUSTOMER DRAWING		Tyco Electronics Harrisburg, PA 17105-3608 NAME: KIT, PATCH PANEL, AMPTRAC IU, 24 PORT, CAT6 SL, FLAT SIZE: A 00779 C=1933327 SCALE: 1:2 SHEET 1 OF 1 REV D	
--	--	---	--	---	--